

# MODEL SSJ-AE



Revolving Racks: (30) 12" x 42"  
Cooking Surface: 105 Sq. Ft.

or

Revolving Racks: (25) 18" x 42"  
Cooking Surface: 131.5 Sq. Ft.



**OLE HICKORY**  
**PITS™**

WOOD BURNING BARBECUE PITS



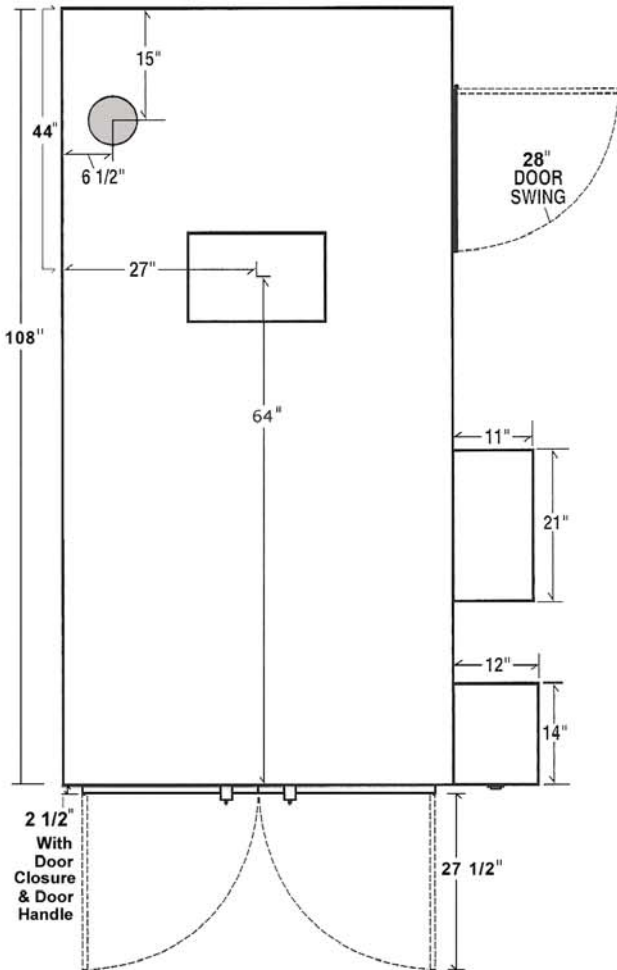
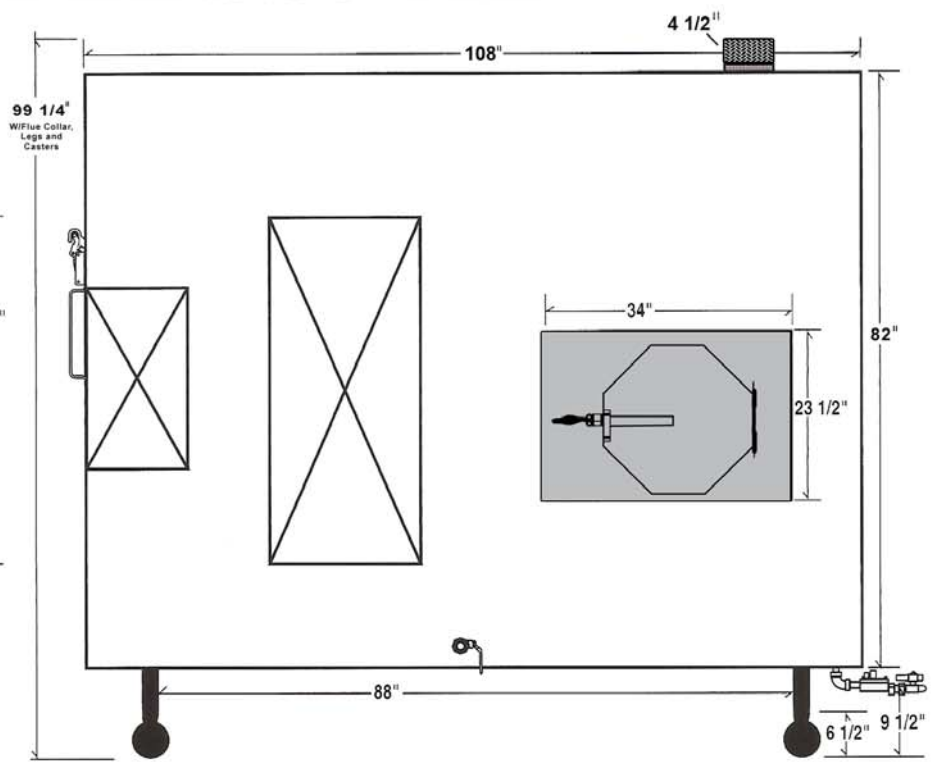
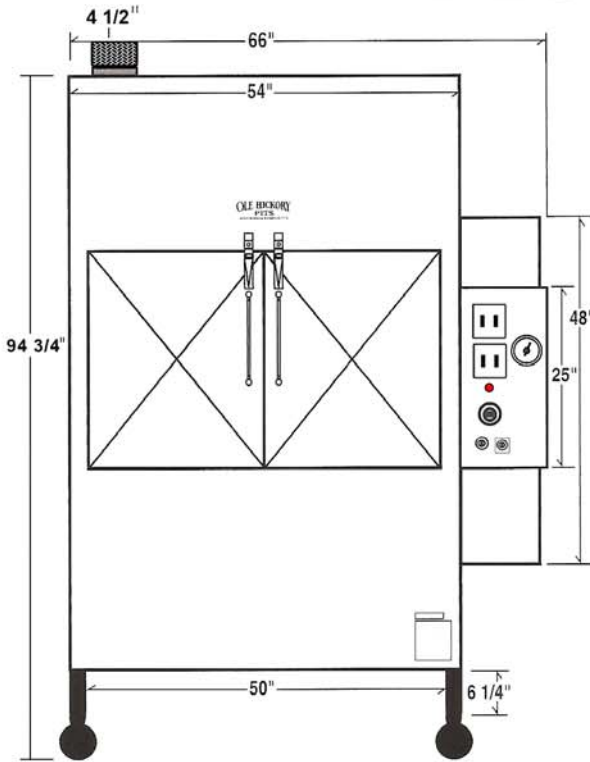
**1-800-223-9667**

333 North Main Street ~ Cape Girardeau, MO ~ 63701

Email: [main@olehickorypits.com](mailto:main@olehickorypits.com)

[www.olehickorypits.com](http://www.olehickorypits.com)

# MODEL SSJ-AE



**Construction:** Heavy duty 12 gauge steel interior side walls (100% welded & inspected seams) tubular steel frame, 22 gauge stainless steel exterior, mineral wool insulation – rated 1200 degrees F. (contains no asbestos or fiberglass)

**Electrical:** 110 volts, 60 HZ, single phase, 15 amp – AVOID NON-GROUNDED EXTENSION CORDS.

**Gas Burner:** Two (2) 65,000 BTU burners with electronic ignition. Available for LPG (Propane) or natural gas.

**Firebox:** Three (3) regular fireplace size logs will last for up to 6 hours of cooking. Air over firebox circulation.

**Temperature range:** Thermostat control range 100 degrees F. to 325 degrees F.

**Upper Limit Control Switch:** Extra safety feature (sat at 350 degrees F).

**Dial Thermometer:** 2 1/2" diameter.

**Heavy Duty Foot Switch:** Rotisserie advance.

**Casters:** Four (4) Heavy duty, ETL approved.

**Convecture™ System:** Two (2) 1/4 HP motor with 10" fan blade provides a mix of both heat and smoke for product consistency.

**Flue:** 6" Diameter.

**Grease Drain:** 2" Pipe with 2" Ball Valve OR 4" Pipe with 4" Gate Valve

**Weight:** 3300 lbs, uncrated.

**Rotisserie:** 30 Racks, 12" X 42", 105 Sq. Ft. total cooking surface or 25 Racks, 18" X 42", 131.5 Sq. Ft. cooking surface. Nickel-chrome (stainless available at extra cost) removable for easy cleaning.

**Dual Rotisserie Drive:** Heavy duty 1/4 HP motor – long lasting double rollerchain drive system utilizing gear reduction.

**Optional Equipment:** Cook and Hold, Competition Switch and other options available.

