

CTO - TQ



US Patent No. 6,810,792
US Patent No. D534,755
&
Patents Pending

Sliding Racks: (3) 26 1/2" x 26 1/2"
Cooking Surface: 14.63 Sq Ft

OLE HICKORY
PITS™

WOOD BURNING BARBECUE PITS



Made In The USA

1-800-223-9667

333 North Main Street ~ Cape Girardeau, MO ~ 63701

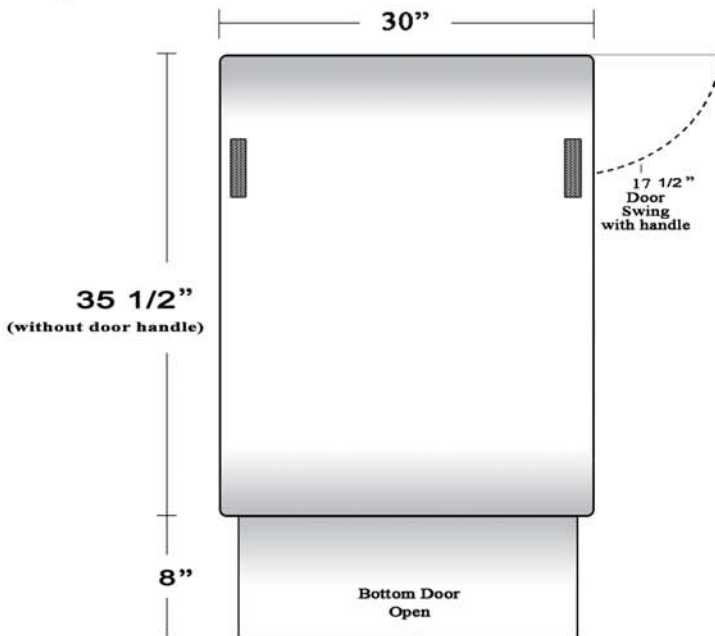
Email: main@olehickorypits.com

www.olehickorypits.com

CTO - TQ



Sliding Racks



US Patent No. 6,810,792
US Patent No. D534,755
&
Patents Pending

Construction: Heavy duty 12 gauge steel interior side walls (100% welded & inspected seams) tubular steel frame, 22 gauge stainless steel exterior, Fully insulated - rated 1800 degree F.

Electrical: 110 volts, 60 HZ, single phase – AVOID NON-GROUNDED EXTENSION CORDS.

Gas Burner: 40,000 BTU burner with electronic ignition. Available for LPG (Propane) or Natural Gas.

Firebox: 3 – 1 pound blocks of wood (approximately 1/4 of a fireplace size log) will last for up to 8 hours of cooking with patented Convecture™ circulation.

Temperature range: Thermostat control range 100 degrees F. to 325 degrees F.

Upper Limit Control Switch: Extra safety feature (set at 350 degrees F).

Dial Thermometer: 2 1/2" diameter.

Casters: Four heavy duty, NSF approved.

Convecture™ System: One (1) 1/30 HP turbo fan motor with 5" fan blade provides a mix of both heat and smoke for product consistency.

Exhaust: Two – 3/4" X 5 1/4" Vents.

Grease Drain: 1" Pipe with 1" Ball Valve.

Sliding Racks: 3 Racks, 26 1/2" X 26 1/2", 14.63 Sq. Ft. total cooking surface, Nickel-Chrome. Removable for easy cleaning.

Optional Equipment: Competition Switch.