

ACE-BP

Thermostat Control
Charcoal Smoker



US Patent No. 6,810,792
US Patent No. D534,755
&
Patents Pending

Sliding Racks: (3) 26 1/2" x 26 1/2"
Cooking Surface: 14.63 Sq Ft

**OLE HICKORY
PITS™**

WOOD BURNING BARBECUE PITS



1-800-223-9667

333 North Main Street ~ Cape Girardeau, MO ~ 63701

Email: main@olehickorypits.com

www.olehickorypits.com

ACE-BP

Thermostat Control Charcoal Smoker

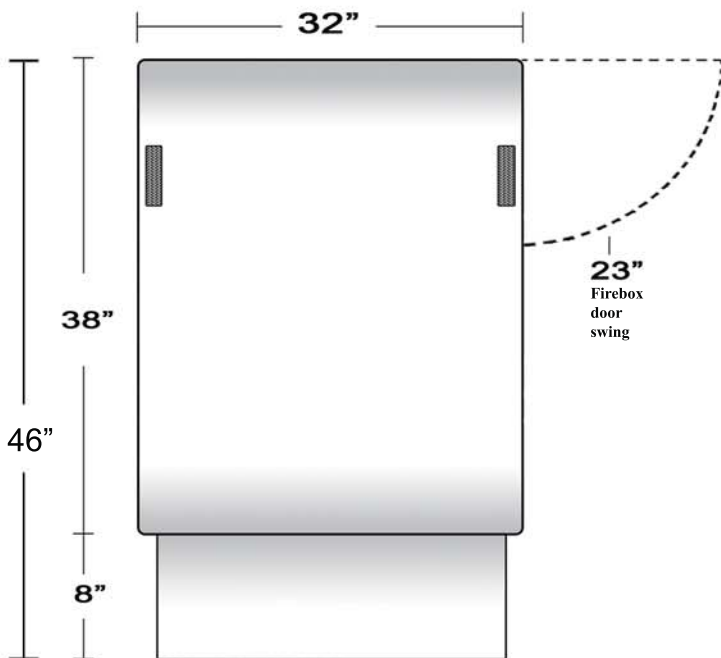


58 1/2"

US Patent No. 6,810,792
US Patent No. D534,755
&
Patents Pending



Sliding Racks



Construction: Heavy duty 12 gauge steel interior side walls (100% welded & inspected seams) tubular steel frame, 22 gauge stainless steel exterior, Fully insulated - rated 1800 degree F.

Fuel: Charcoal briquettes with wood chunks or wood chips.

Firebox: Basket for charcoal with wood. Door equipped with adjustable draft intake manifold apertures.

Exhaust: Two - 3/4" X 5 1/4" Vents. Equipped with adjustable manifold control dampers.

Sliding Racks: 3 Racks, 26 1/2" X 26 1/2", 14.63 Sq. Ft. total cooking surface, Nickel-Chrome. Removable for easy cleaning. Extra racks available.

Temperature range: Thermostat control range 100 degrees F. to 275 degrees F.

Dial Thermometer: 2 1/2" diameter.

Casters: Four heavy duty, NSF approved.

Combustion Blower: One (1), CFM: 12 free air at 60hz, Volts: 115, HZ: 50/60, HP: 1/250

Electrical: 110 volts, 60 HZ, single phase - AVOID NON-GROUNDED EXTENSION CORDS.

Grease Drain: 1" Pipe with 1" Ball Valve.

CAUTION: For Outdoor Use

Ole Hickory Pits ~ 1-800-223-9667 ~ (573) 334-3377 ~ www.olehickorypits.com

REV020314